

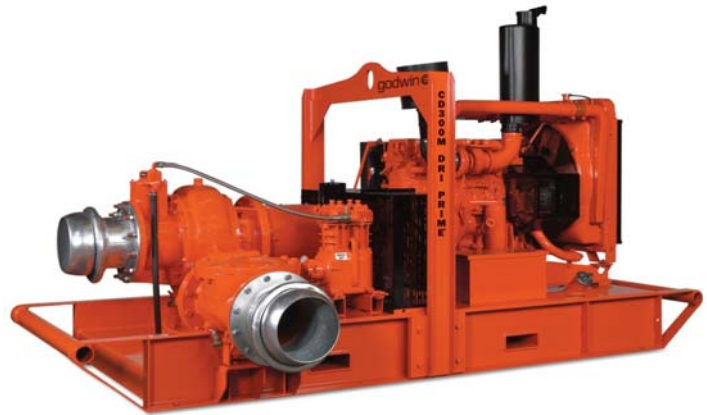
CD300M Dri-Prime® Pump

大型抽水機

The Godwin Dri-Prime CD300M pump offers flow rates to 5990 USGPM and has the capability of handling solids up to 3.7" in diameter.

The CD300M is able to automatically prime to 28' of suction lift from dry. Automatic or manual starting/stopping available through integral mounted control panel or optional wireless-remote access.

Indefinite dry-running is no problem due to the unique Godwin liquid bath mechanical seal design. Solids handling, dry-running, and portability make the CD300M the perfect choice for dewatering and bypass applications.



Features and Benefits

- Simple maintenance normally limited to checking fluid levels and filters.
- Dri-Prime (continuously operated Venturi air ejector priming device) requiring no periodic adjustment. Optional compressor clutch available.
- Extensive application flexibility handling sewage, slurries, and liquids with solids up to 3.7" in diameter.
- Dry-running high pressure liquid bath mechanical seal with high abrasion resistant solid silicon carbide faces.
- Pedestal-mounted centrifugal pump with Dri-Prime system coupled to a diesel engine or electric motor.
- All cast iron construction (stainless steel construction option available) with cast steel impeller.
- Also available in a critically silenced unit which reduces noise levels to less than 70 dBA at 30'.
- Standard engine Caterpillar C9 (T3 Flex). Also available with John Deere 6068HFC94 (IT4).

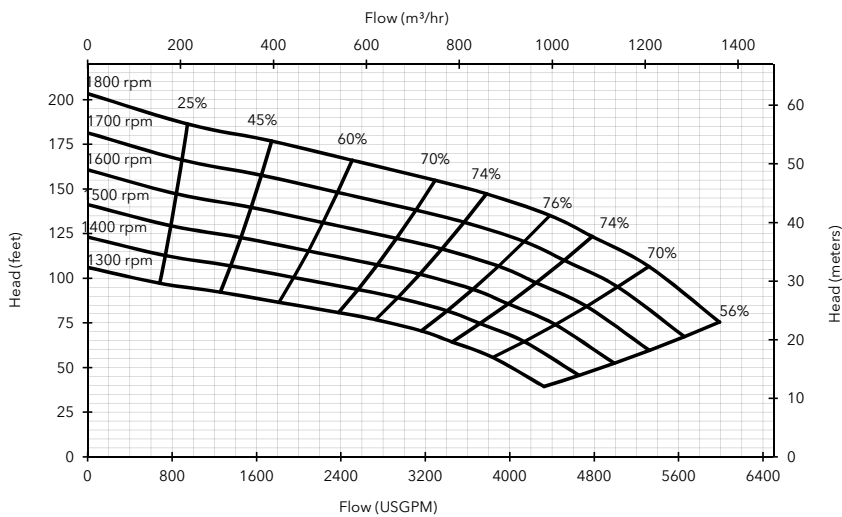
Specifications

Suction connection	12" 125# ANSI B16.1
Delivery connection	12" 150# ANSI B16.5
Max capacity	5990 USGPM †
Max solids handling	3.7"
Max impeller diameter	14.3"
Max operating temp	176°F*
Max pressure	88 psi
Max suction pressure	58 psi
Max casing pressure	132 psi
Max operating speed	1800 rpm

* Please contact our office for applications in excess of 176°F.

† Larger diameter pipes may be required for maximum flows.

Performance Curve



Engine option 1

Caterpillar C9 (T3 Flex), 300 HP @ 1800 rpm

Impeller diameter 14.3"

Pump speed 1800 rpm

Suction Lift Table

Total Suction Head (feet)	Total Delivery Head (feet)				
	61	99	132	141	156
10	6076	5283	4121	3540	2589
15	5917	5019	3646	3064	2108
20	5283	4755	2906	2113	1057
25	4227	3963	2642	2113	-

Fuel capacity: 240 US Gal

Max Fuel consumption @ 1800 rpm: 15.1 US Gal/hr

Max Fuel consumption @ 1600 rpm: 14.3 US Gal/hr

Weight (Dry): 9,500 lbs

Weight (Wet): 11,230 lbs

Dim.: (L) 160" x (W) 71" x (H) 97"

Performance data provided in tables is based on water tests at sea level and 20°C ambient. All information is approximate and for general guidance only. Please contact the factory or office for further details.

Materials

Pump casing & suction cover	Cast iron BS EN 1561 - 1997
Wearplates	High Chromium Cast Iron HC403:1977
Pump Shaft	Carbon steel BS 970 - 1991 817M40T
Impeller	Cast Steel BS3100 A5 Hardness to 200 HB Brinell
Non-return valve body	Cast iron BS EN 1561 - 1997
Mechanical seal	Double Mech seal; Silicon carbide face; Viton elastomers; Stainless steel body

Engine option 2

John Deere 6068HFC94 (IT4), 219 HP @ 1800 rpm

Impeller diameter 14.3"

Pump speed 1800 rpm

Suction Lift Table

Total Suction Head (feet)	Total Delivery Head (feet)				
	61	99	132	141	156
10	6076	5283	4121	3540	2589
15	5917	5019	3646	3064	2108
20	5283	4755	2906	2113	1057
25	4227	3963	2642	2113	-

Fuel capacity: 240 US Gal

Max Fuel consumption @ 1800 rpm: 10.8 US Gal/hr

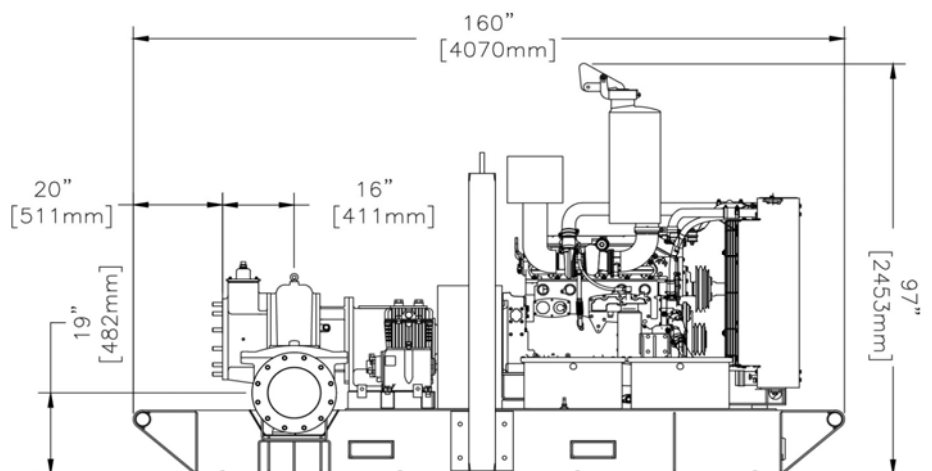
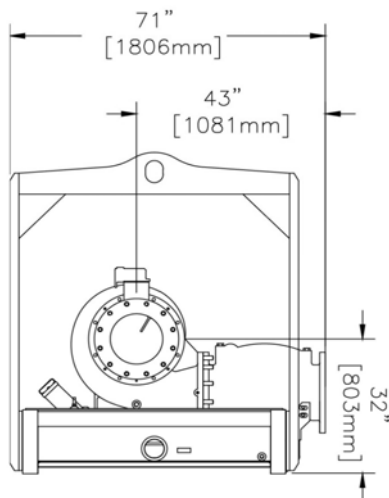
Max Fuel consumption @ 1400 rpm: 8.8 US Gal/hr

Weight (Dry): 10,100 lbs

Weight (Wet): 11,830 lbs

Dim.: (L) 160" x (W) 71" x (H) 91"

Performance data provided in tables is based on water tests at sea level and 20°C ambient. All information is approximate and for general guidance only. Please contact the factory or office for further details.



璋洲企業有限公司

地址：台灣高雄市前鎮區武德街135巷24號

信件請寄：高雄市郵政信箱1394號

Tel : 07-7169249 Fax : 07-2134620

E-MAIL: industry-machine@weizhou.com.tw

Line : weizohu1995 Skype : service450429 QQ : 1467808036

Viber: +886972326392 WhatsApp: +886972326392 Wechat: walterhsu1995

http://www.weizhou.com.tw/Indmachine/i-industry/enterance.htm