

CD200M Dri-Prime® Pump

大型抽水機

The Godwin Dri-Prime CD200M pump offers flow rates to 2290 USGPM and has the capability of handling solids up to 3.0" in diameter.

The CD200M is able to automatically prime to 28' of suction lift from dry. Automatic or manual starting/stopping available through integral mounted control panel or optional wireless-remote access.

Indefinite dry-running is no problem due to the unique Godwin liquid bath mechanical seal design. Solids handling, dry-running, and portability make the CD200M the perfect choice for dewatering and bypass applications.



Features and Benefits

- Simple maintenance normally limited to checking fluid levels and filters.
- Dri-Prime (continuously operated Venturi air ejector priming device) requiring no periodic adjustment. Optional compressor clutch available.
- Extensive application flexibility handling sewage, slurries, and liquids with solids up to 3.0" in diameter.
- Dry-running high pressure liquid bath mechanical seal with high abrasion resistant solid silicon carbide faces.
- Close-coupled centrifugal pump with Dri-Prime system coupled to a diesel engine or electric motor.
- All cast iron construction (stainless steel construction option available) with cast steel impeller.
- Also available in a critically silenced unit which reduces noise levels to less than 70 dBA at 30'.
- Standard engine John Deere 4045TF290 (IT4 Flex). Also available with Caterpillar C4.4M-T (Export Only).

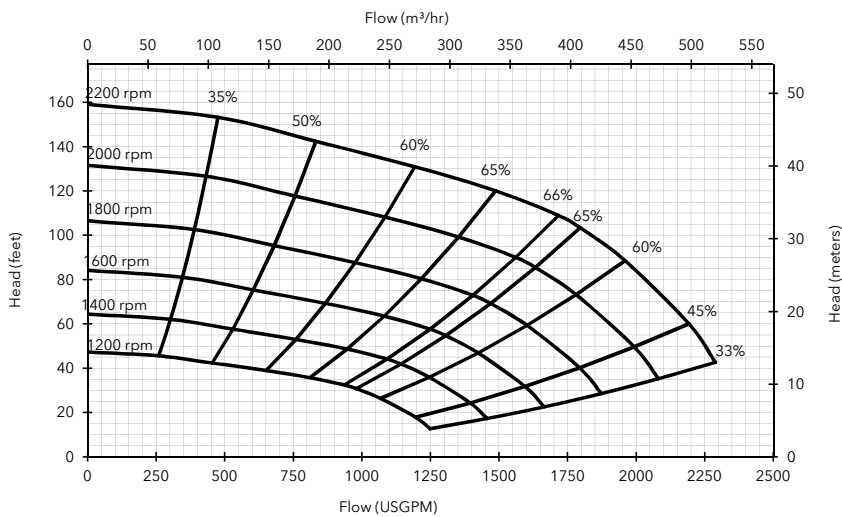
Specifications

Suction connection	8" 150# ANSI B16.5
Delivery connection	8" 150# ANSI B16.5
Max capacity	2290 USGPM †
Max solids handling	3.0"
Max impeller diameter	11.0"
Max operating temp	176°F*
Max pressure	70 psi
Max suction pressure	58 psi
Max casing pressure	105 psi
Max operating speed	2200 rpm

* Please contact our office for applications in excess of 176°F.

† Larger diameter pipes may be required for maximum flows.

Performance Curve



Engine option 1

John Deere 4045TF290 (IT4 Flex), 75 HP @ 2200 rpm

Impeller diameter 11.0"

Pump speed 2200 rpm

Suction Lift Table

Total Suction Head (feet)	Total Delivery Head (feet)				
	30	46	62	81	137
10	2291	2208	2107	1913	605
15	2208	2160	2063	1821	484
20	2083	2034	1986	1773	412
25	1937	1889	1816	1724	-

Fuel capacity: 60 US Gal

Max Fuel consumption @ 2200 rpm: 4.4 US Gal/hr

Max Fuel consumption @ 1800 rpm: 3.8 US Gal/hr

Weight (Dry): 3,070 lbs

Weight (Wet): 3,490 lbs

Dim.: (L) 119" x (W) 66" x (H) 77"

Performance data provided in tables is based on water tests at sea level and 20°C ambient. All information is approximate and for general guidance only. Please contact the factory or office for further details.

Materials

Pump casing & suction cover	Cast iron BS EN 1561 - 1997
Wearplates	Cast iron BS EN 1561 - 1997
Pump Shaft	Carbon steel BS 970 - 1991 817M40T
Impeller	Cast Steel BS3100 A5 Hardness to 200 HB Brinell
Non-return valve body	Cast iron BS EN 1561 - 1997
Mechanical seal	Silicon carbide face; Viton elastomers; Stainless steel body

Engine option 2

Caterpillar C4.4M-T (Export Only), 78 HP @ 2200 rpm

Impeller diameter 11.0"

Pump speed 2200 rpm

Suction Lift Table

Total Suction Head (feet)	Total Delivery Head (feet)				
	30	46	62	81	137
10	2291	2208	2107	1913	605
15	2208	2160	2063	1821	484
20	2083	2034	1986	1773	412
25	1937	1889	1816	1724	-

Fuel capacity: 60 US Gal

Max Fuel consumption @ 2200 rpm: 4.6 US Gal/hr

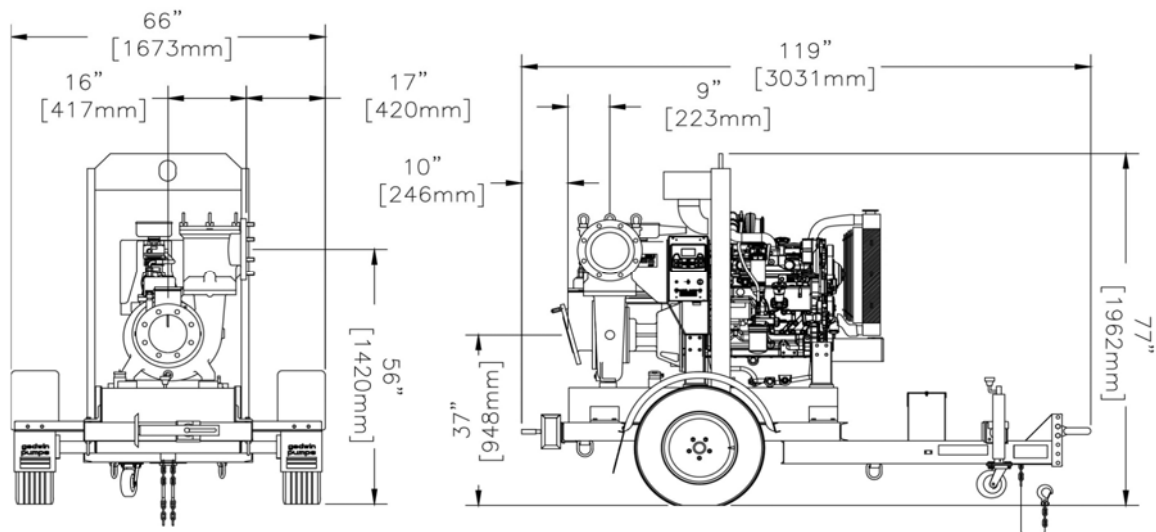
Max Fuel consumption @ 1800 rpm: 4.2 US Gal/hr

Weight (Dry): 3,070 lbs

Weight (Wet): 3,490 lbs

Dim.: (L) 119" x (W) 66" x (H) 77"

Performance data provided in tables is based on water tests at sea level and 20°C ambient. All information is approximate and for general guidance only. Please contact the factory or office for further details.



瑋洲企業有限公司

地址：台灣高雄市前鎮區武德街135巷24號
 信件請寄：高雄市郵政信箱1394號
 Tel：07-7169249 Fax：07-2134620

E-MAIL: industry-machine@weizhou.com.tw

Line：weizohu1995 Skype：service450429 QQ：1467808036
 Viber:+886972326392 WhatsApp:+886972326392 Wechat:walterhsu1995
<http://www.weizhou.com.tw/Indmachine/i-industry/enterance.htm>