

# FORAGE COMPACTOR 6700



**MID-CAPACITY EXPORT FORAGE PRESS  
INCREASING YOUR PROFITS**

**瑋洲企業有限公司**

80647 台灣高雄市前鎮區武德街135巷24號

Tel:886-7-7169249

Fax:886-7-2134620

E-mail:[agri-machine@weizhou.com.tw](mailto:agri-machine@weizhou.com.tw)

# Higher Quality Bales

The FC6700 is an innovative machine designed to compress baled hay and loose hay into mid-density export-ready bales. With the ability to compress over 60% higher than field bale density, storage and transport and more efficiently optimized.

The compact construction of the FC6700 fits easily into a production facility and is designed to stand alone or compliment an existing press. Each FC6700 includes a web-based monitoring system reporting on production, machine statistics, downtime, management reports, and provides historical or weekly/monthly reports.



## The FC6700 is designed to produce:

45" X 43" X 30" average compressed bale

\*see page 4 for bale weights and tons per hour chart.

## ◀ A sleeved export bale



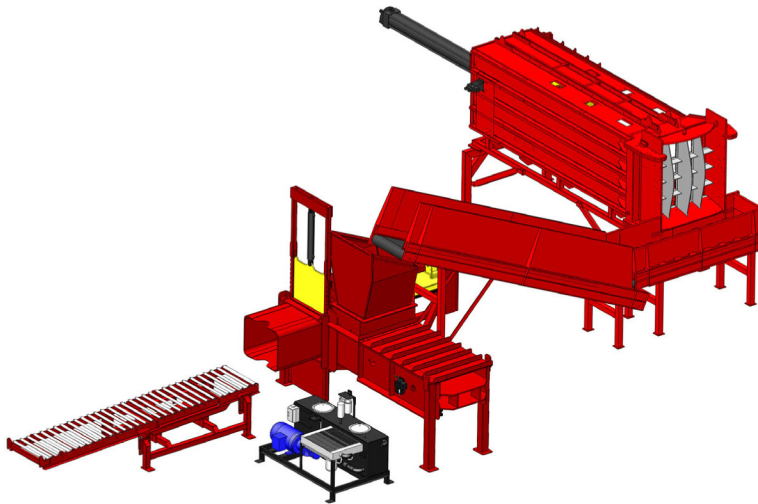
## Big Bale Grid Slicing System

This slicing system is a standard component of the FC6700 Press. Hay bales are pushed through a set of stationary blades to slice hay cleanly and accurately.

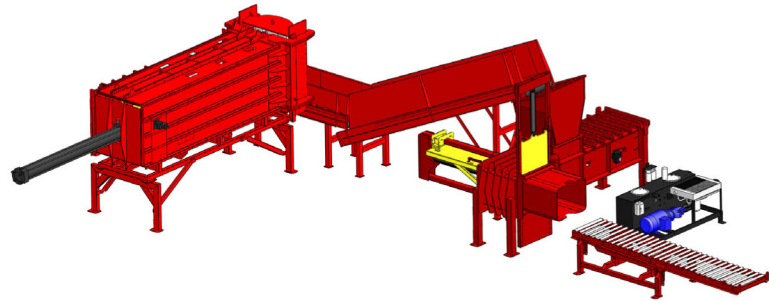


## FC6700 Input Conveyor

# FC6700



Side View



Reverse View

**Create a custom plant layout to produce a blended product.**

## FC6700 Press Details



### Automation

The PLC is controlled from the operator's station and provides up-to-the-second reporting of production, component pressures, temperatures, and can monitor third-party equipment integrated into your Hunterwood machine.



### Loose Hay Sweep

A Loose Hay Sweep is where loose hay is swept up to be collected and baled into a usable bale format. A Loose Hay Sweep reduces waste and increases output efficiency.

# FC6700 Press Details

## FC6700 FEATURES

MINIMAL STAFF REQUIREMENTS	One to two people can operate the machine under normal plant conditions.
INPUT & OUTPUT SCALING	Input and output digital scaling is synchronized to produce the highest weight and accuracy in numerous forage varieties.
HUNTERWOOD ONLINE (Web-based)	Available online access of press and component diagnostics. This program provides detailed shift-by-shift production and down time reports to assist the plant manager's ability to maintain consistent press operation at peak efficiency. Hunterwood Online allows for real-time monitoring from any location.
OPTIONAL HUNTERWOOD COMPONENTS	Hunterwood provides modular components allowing for flexibility with product output or increased automation.
INPUT	The FC6700 comes standard with a Grid Slicing Input System and sweep for loose hay. Other equipment that may be integrated into your Hunterwood custom set-up include; grinders, mixers, shredders, bale breakers and round bale unrollers. These inputs may be used for a blended or mixed product for a TMR bale.

## Hunterwood FC6700 General Specifications

PRODUCTION SPEED	10 Metric Tons/Hour (Sprint Rate)*
POWER SUPPLY REQUIREMENT	3-Phase Power; Diesel Generator; Or Custom to local specifications.
INPUT BALE SIZE	Accepts 3x4x8 or 4x4x8 big square bales, and loose hay
OUTPUT LOG SIZE	45" long X 43" wide X 30" high
OIL COOLING SYSTEM	Air-to-Oil Heat Exchanger
BALE WEIGHT	850 lbs (385 kg) or better in quality Alfalfa

\*based on Alfalfa; production rates, bale weights, and densities are subject to moisture content, material compressibility, and other variables.

## Container Loading Diagram (standard or high cube)

